



# OCS8487A

Installation type: Built-in  
 Range: Craft  
 Available colour: Anthracite  
 Product dimensions (HxWxD): 45,5 x 59,5 x 54,6 cm  
 5 Air Flow System, Pure steam system, Oven volume 50l, Aqua Clean (ASKO) BW, Steam clean, 1 level telescopic fully extendable, SousVide, Auto Roast, Full steam function, Eco



**5 Air Flow System**



**Pure steam system**



**50 LITRE Oven volume 50l**



**Steam clean**



**1 level telescopic fully extendable**



**SousVide**



**Auto Roast**

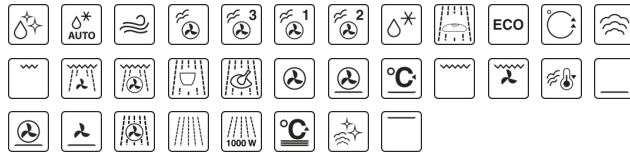
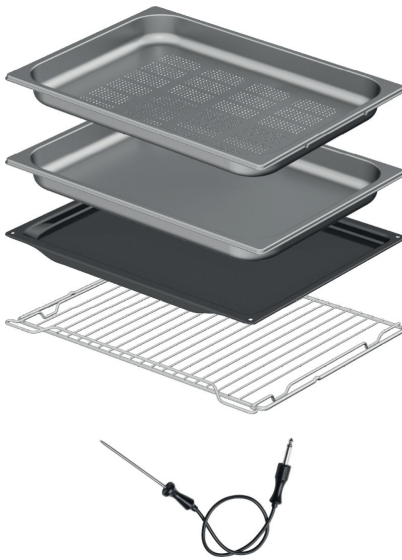


**Full steam function**



**Eco**

## Standard accessories



Aqua clean, Auto defrost, Clean air, Combi steam, Combi steam high, Combi steam low, Combi steam middle, Defrosting, Defrosting bread, Eco, Fast preheat, Full steam function, Grill, Grill fan microwave, Grill with fan and microwaves, Heating beverage, Heating meal, Hot air, Hot air bottom heat, Keep warm, Large grill, Large grill fan, Low temperature steam, Lower heater, Lower heater with circular and fan, Lower heater with fan, Micro hot air, Microwave, Microwave 1000w, Plate warming, Pro Roast (ASKO), Pyrolytic Clean (ASKO), Regenerate (ASKO), Sous vide program (ASKO), Steam clean, Upper and lower heater (ASKO), Upper heater

## Construction & Performance

- Hot air convection
- Maximum oven temperature: 230 °C
- Meat probe
- Multi Steam 360

## Use & Flexibility

- Oven lighting: Both sides
- Water container: 1,3 l
- Oven useful volume (old energy label): 50 l
- OpenView
- Fully extendable guides
- Number of trays and grids: 4
- Grid
- 1 full width perforated steam tray
- 1 Shallow tray

## Interaction & Control

- Digital display
- Full colour display
- Knob shape: Ergonomical dials

## Programs, options and modes

- Number of oven functions: 19
- Number of cooking programs: 160
- Lower heater BIO
- Upper Heater
- Lower and upper heater
- Small infra heater
- Large Infra Heater
- Large infra heater with ventilation
- Circular heater
- Eco-function
- Lower heater and fan
- Lower heater with fan BIO
- Strong steam
- Medium steam
- Low steam

ASKO Appliances Pty Ltd - 35 Sunmore Close - MOORABBIN VIC 3189  
 Phone: 1300 00 2756 - Fax: 03 8551 2220  
 Email Address: sales@asko.com.au - www.asko.com.au

**ASKO**  
 Inspired by Scandinavia

- Steam baking
- SousVide
- Defrost cooker
- WarmPlate
- StayWarm function
- Fast Preheat
- STEP Bake
- Auto roast function

---

#### Design & Integration

- Door material: Glass
- Available colour: Anthracite
- Touch Free Inox
- Tinted door glass
- Integration side trims
- Adjustable feet: 4
- Niche dimensions (HxWxD): 45 × 56 × 55 cm

---

#### Safety & Maintenance

- Dynamic oven cooling plus - DC+
- Soft open and gentle close door hinge
- Removable flat oven inner door glass surface
- AquaClean function
- Steam cleaning
- SousVide
- Descaling

---

#### Technical data

- Consumption in standby mode: 1 W
- Energy class: A+
- Oven consumption (conventional operation): 0,82 kWh
- Oven consumption (venting operation): 0,62 kWh
- Energy consumption conventional oven (old energy label): 0,82 kWh
- Energy consumption forced air assisted oven (old energy label): 0,62 kWh
- Connection rating: 2900 W
- Voltage: 220-240 V
- Nominal current: 16 amp
- Frequency: 50 Hz

---

#### Dimensions

- Product dimensions (HxWxD): 45,5 × 59,5 × 54,6 cm
- Length electrical cord: 1,5 m
- Net weight: 36,3 kg

---

#### Logistic information

- Dimensions of packed product (HxWxD): 55 × 66 × 70 cm
- Gross weight: 41 kg
- Product code: 500342
- EAN code: 3838942106637
- Product area: Kitchen
- Market: Domestic
- Range: Craft

